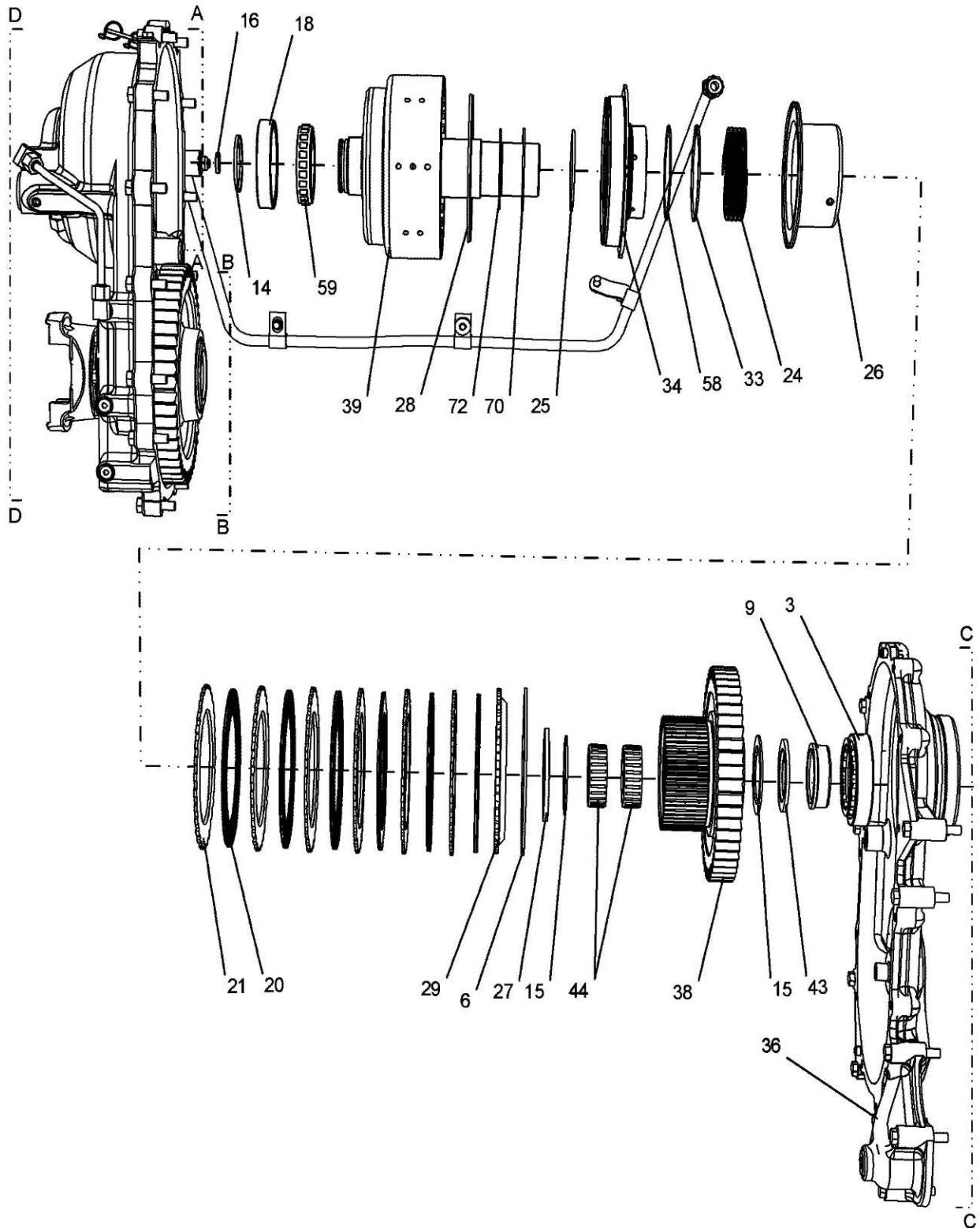


265-5745 - CLUTCH GROUP, POWER TAKE OFF	15-0001
265-5745 - CLUTCH GROUP, POWER TAKE OFF	15-0002
265-5745 - CLUTCH GROUP, POWER TAKE OFF	15-0003
519774D1 - POWER TAKE OFF ASSEMBLY	15-0004
513914D1 - PTO LINES GROUP	15-0005
574129D1 - PTO LINES GROUP	15-0006
552987D1 - PTO SHAFT GUARD KIT APPLIES TO ALL TRACTORS BUILT WITH A PTO.	15-0007
524509D1 - PTO LUBRICATION VALVE ASSEMBLY	15-0008
526775D2 - POWER TAKE OFF SPACER GROUP	15-0009
526753D1 - GEARBOX, REAR PTO, TYPE 3	15-0010

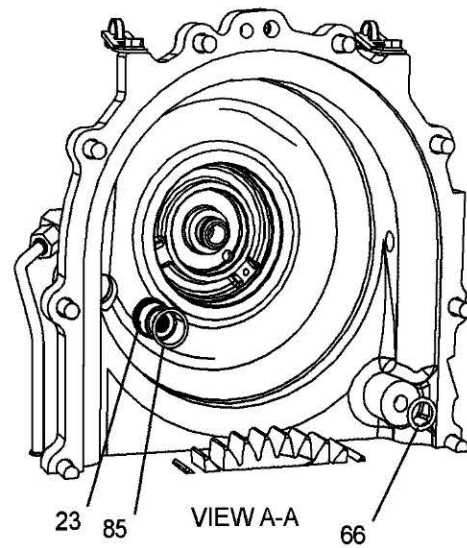
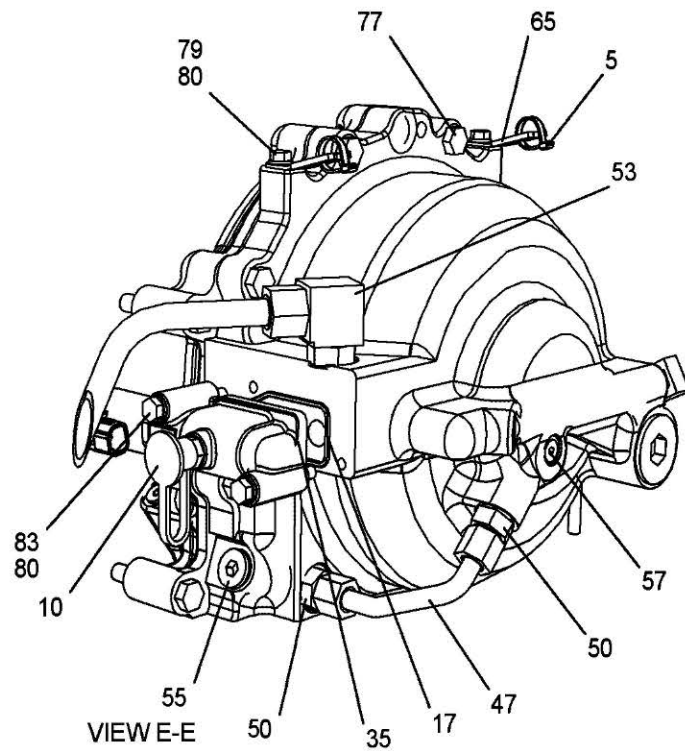
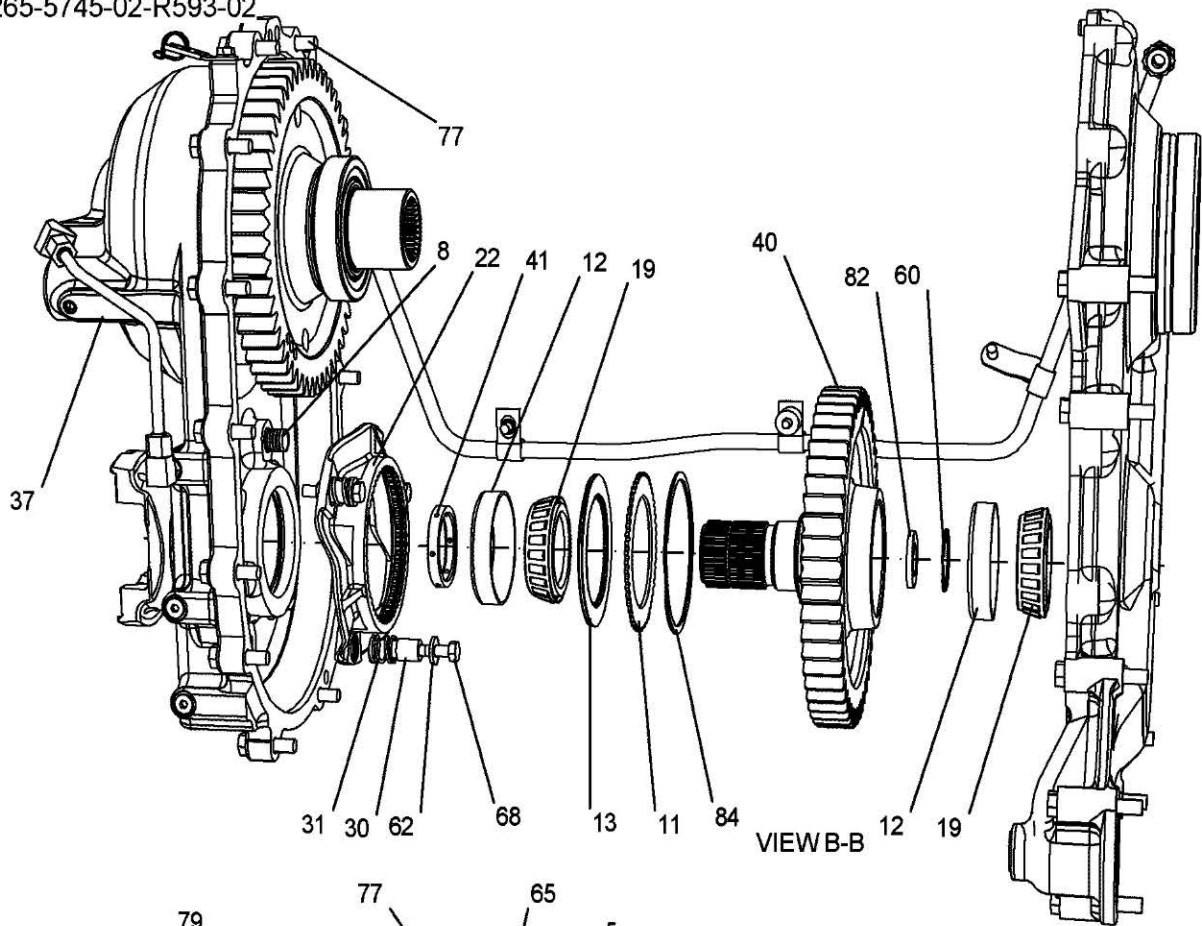
265-5745-02-R593-01



**265-5745 - CLUTCH GROUP, POWER TAKE OFF**

ITEM	PART NUMBER	QTY	DESCRIPTION COMMENTS	TECHNICAL SPECIFICATION
3	2D-5173	1	BEARING ROLLER	
6	4D-7889	1	RING	
9	5S-5729	1	RACE INNER	
14	7G-4822	1	O-RING	69.7MM OD X 4.17MM
15	8E-8652	2	DISC	
16	8P-0492	1	SEALING RING	
18	9M-2042	1	RACE	
20	134-8360	6	FRICTION DISC	215MM OD X 4MM
21	134-8361	6	CLUTCH PLATE	158MM ID X 4MM
24	173-5392	1	SPRING	
25	177-5241	1	RETAINING RING	
26	177-5243	1	BALANCE SEAL BALANCE	
27	177-5246	1	SPACER RING	
28	177-6797	1	SEALING RING	193.18MM OD X 4.07MM
29	177-6804	1	END PLATE	
33	200-3039	1	SEALING RING	
34	203-2631	1	PISTON	
36	265-5746	1	HOUSING SEE PAGE 05-0001	
	147-4414	3	PLUG	
	313-4900	1	HOUSING	
	3F-0957	2	DOWEL	
	7T-9986	1	CUP PLUG	
38	265-5750	1	GEAR	
39	313-4906	1	SHAFT	
43	267-6626	1	SPACER	
44	267-6627	2	BEARING ROLLER	
58	199-9240	1	O-RING	120.37MM ID X 1.78MM
59	1M-4095	1	BEARING	
70	7T-5594	1	O-RING	
72	8T-2572	1	O-RING	101.32MM ID X 1.78MM

265-5745-02-R593-02



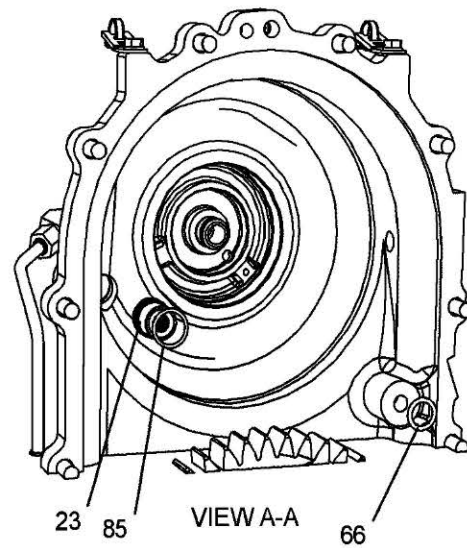
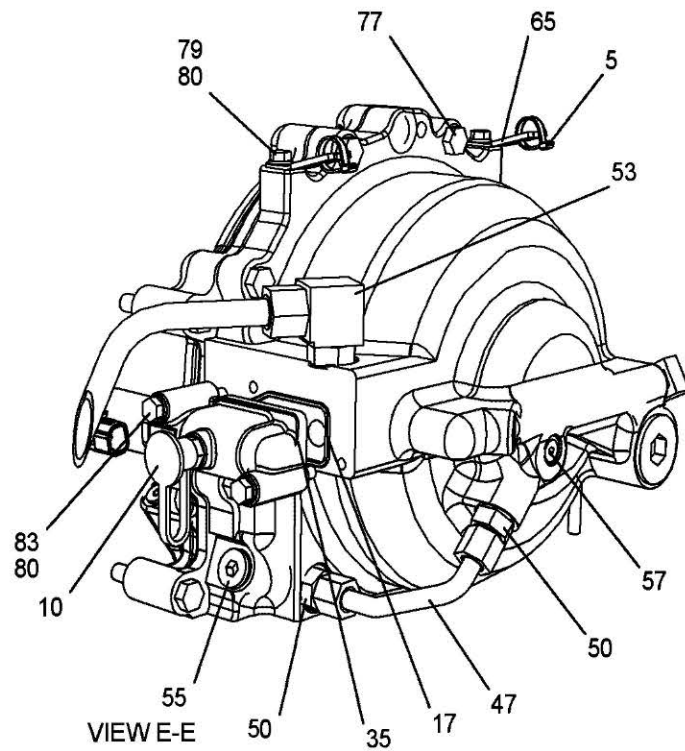
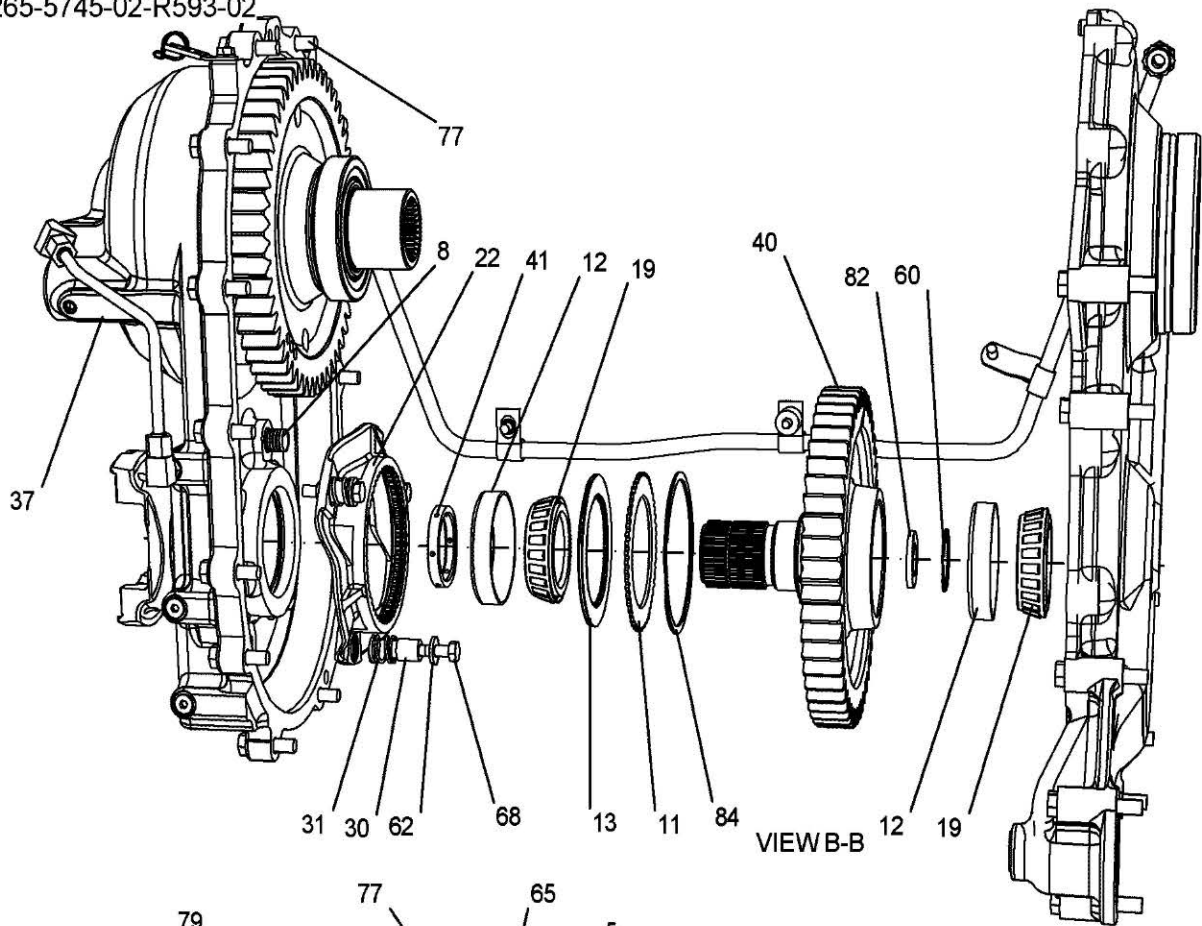
**265-5745 - CLUTCH GROUP, POWER TAKE OFF**

ITEM	PART NUMBER	QTY	DESCRIPTION COMMENTS	TECHNICAL SPECIFICATION
5	3S-2093	2	STRAP	
8	4T-4200	3	DOWEL	
10	6V-0852	1	DUST CAP	
11	6Y-5631	1	CLUTCH PLATE	
12	6Y-5909	2	CUP	
13	6Y-7968	1	FRICTION DISC	
17	8S-0768	1	O-RING SEAL	
19	009-3819	2	TAPERED BEARING	
22	161-8739	1	BRAKE PLATE	
23	165-0390	1	RELIEF VALVE TRANSMISSION CONTROL GROUP	
30	187-8141	3	BUSHING	
31	187-8142	3	SPRING	
35	244-7772	1	CONTROL VALVE SEE PAGE 05-0030 S/N: AZA986 - UP - 7PY1 - UP - 8AY1 - UP - 12V ELECTRONIC CLUTCH PRESSURE	
	323-9533	1	COIL	
	156-5970	1	HEX NUT	1/2"-28
	164-2108	1	FLAT WASHER	
	400324X1	1	QUICK COUPLER NIPPLE	9/16"-18, -6 STOR
	400318X1	1	O-RING	11.89MM ID X 1.98MM
37	265-5748	1	HOUSING REAR HOUSING ASSEMBLY	
	7T-6496	1	PLUG	
	9P-4857	1	RING	
40	313-4902	1	GEAR	
41	265-5754	1	SPACER	
47	267-6632	1	TUBE	
50	148-8345	2	CONNECTOR	
	6V-8638	1	CONNECTOR	
	6V-8398	1	O-RING SEAL	16.03MMOD X 1.78MM DIA
	2M-9780	1	O-RING	
53	148-8390	1	ELBOW ELBOW	
	7J-9108	1	O-RING SEAL	19.28MM X 1.78 MM
	6V-8626	1	ELBOW	
	2M-9780	1	O-RING	
55	164-5619	1	SOCKET HEAD PLUG PLUG ASSEMBLY	-10 STOR
	2M-9780	1	O-RING	
	9S-8006	1	PLUG	7/8"-14
57	183-7263	1	PLUG	
60	2D-0592	1	RETAINING RING	
62	3E-4353	3	FLAT WASHER	11MM ID X 25MM OD X 3MM
65	4P-7581	2	LADDER CLIP	
66	5F-7054	1	O-RING SEAL	

**15-0002**

**IMPLEMENT DRIVE SYSTEM**

265-5745-02-R593-02

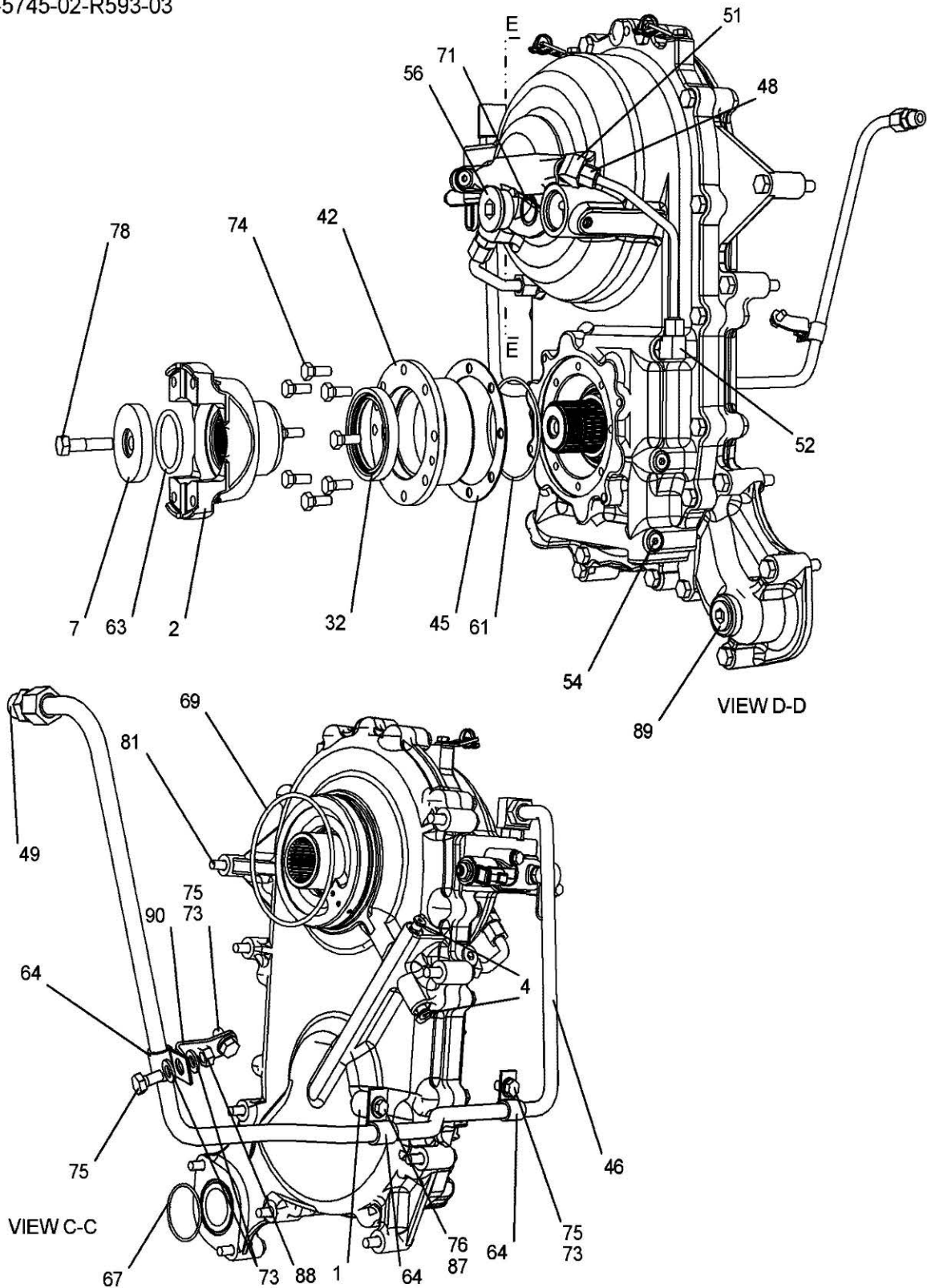


**265-5745 - CLUTCH GROUP, POWER TAKE OFF**

---

ITEM	PART NUMBER	QTY	DESCRIPTION COMMENTS	TECHNICAL SPECIFICATION
68	6V-4249	3	HEXAGONAL HEAD BOLT	M10 X 1.5 X 50MM, CL10.9
77	8T-4184	14	BOLT	M12 X 1.75 X 45MM
79	8T-4200	2	HEXAGONAL HEAD BOLT	M8 X1.25 X 16, CL10.9
80	8T-4224	4	FLAT WASHER	DIAM : 8,8-16 X 2 MM
82	8T-5361	1	WASHER	
83	8T-6869	2	HEXAGONAL HEAD BOLT	M8 X 1.25 X 60MM, CL10.9
84	9U-8875	1	RING	
85	9X-4609	1	O-RING	23.47MM ID X 2.62MM

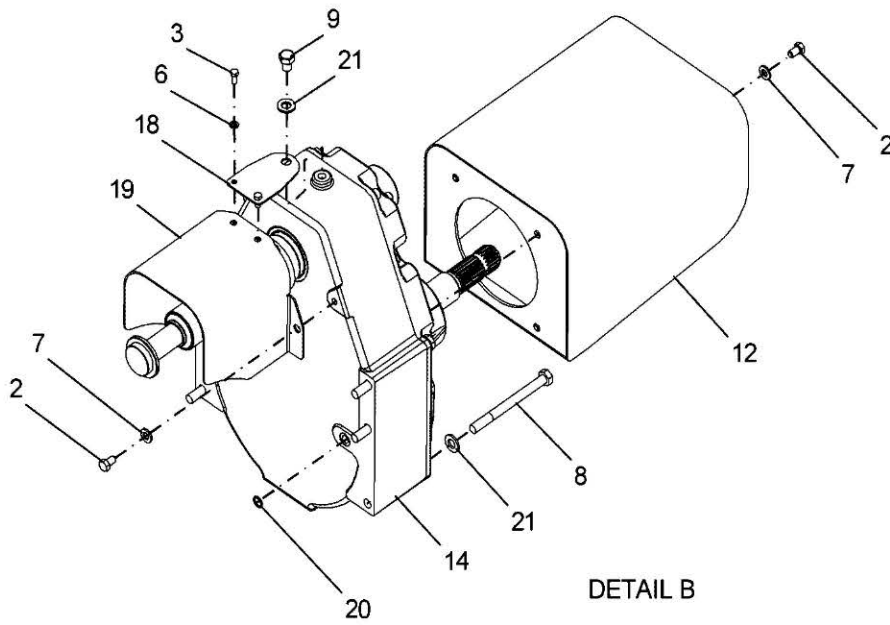
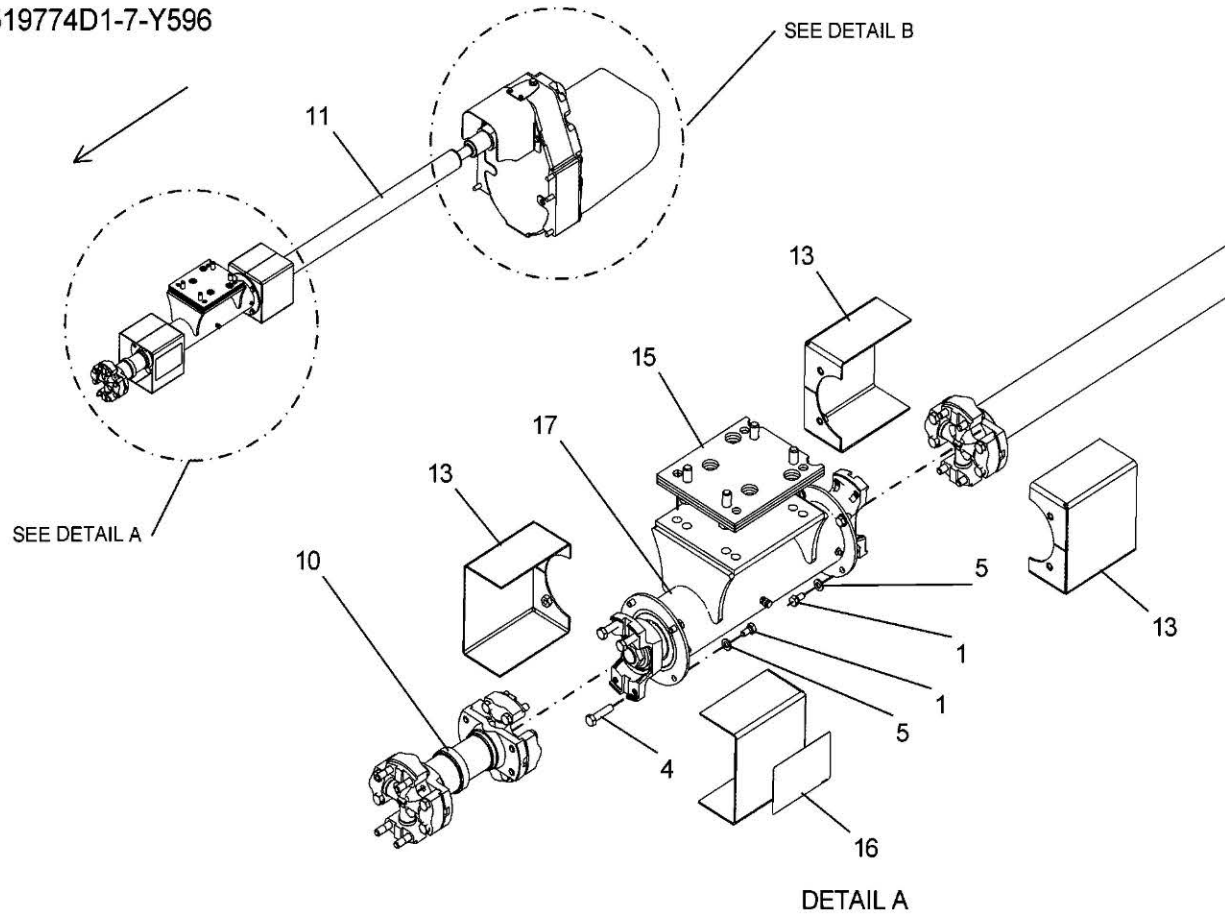
265-5745-02-R593-03



**265-5745 - CLUTCH GROUP, POWER TAKE OFF**

ITEM	PART NUMBER	QTY	DESCRIPTION COMMENTS	TECHNICAL SPECIFICATION
1	1B-4971	1	SPACER	
2	313-4904	1	YOKE POWER TAKE OFF	
4	3J-3679	2	PLUG	
7	4S-5838	1	RETAINER	
32	193-2200	1	SEAL	
42	313-4903	1	CAGE	
45	267-6630	1	SHIM KIT	2.1MM THK
46	267-6631	1	TUBE	
48	273-4083	1	TUBE	
49	148-8315	1	CONNECTOR	
51	148-8353	1	ELBOW FITTING	
	3J-1907	1	O-RING SEAL	11.89MM X 1.98MM
	6V-8397	1	O-RING SEAL	12.83MMOD X 1.78MM
	6V-9001	1	ELBOW	
52	148-8378	1	ELBOW FITTING	
	6V-8397	1	O-RING SEAL	12.83MMOD X 1.78MM
	6V-8724	1	ELBOW FITTING	
	3J-1907	1	O-RING SEAL	11.89MM X 1.98MM
54	CH162-0177	5	PLUG	9/16"-18
56	183-7262	1	PLUG	
61	2H-3928	1	O-RING SEAL	
63	4F-7390	1	SEAL	
64	4K-8302	3	CLIP	
67	5H-8848	1	O-RING SEAL	
69	7J-8956	1	O-RING SEAL	
71	8C-3428	1	RETAINING RING	32.7MM OD X 1.2MM
73	8T-4121	4	FLAT WASHER	DIAM : 11-21 X 2,5 MM
74	8T-4136	8	HEX CAP SCREW	M10 X 25
75	8T-4137	3	HEX CAP SCREW	M10 X 20
76	8T-4197	1	HEX CAP SCREW	M8 X 40
78	8T-4194	1	BOLT	M12 X 1.75 X 50MM
81	8T-4648	10	HEX CAP SCREW	M12 X 70
87	5P-4116	1	FLAT WASHER	DIAM : 8,8-20,5 X 2 MM
88	8T-4133	1	NUT	
89	148-8409	1	PLUG	
90	313-4905	1	MOUNTING BRACKET	

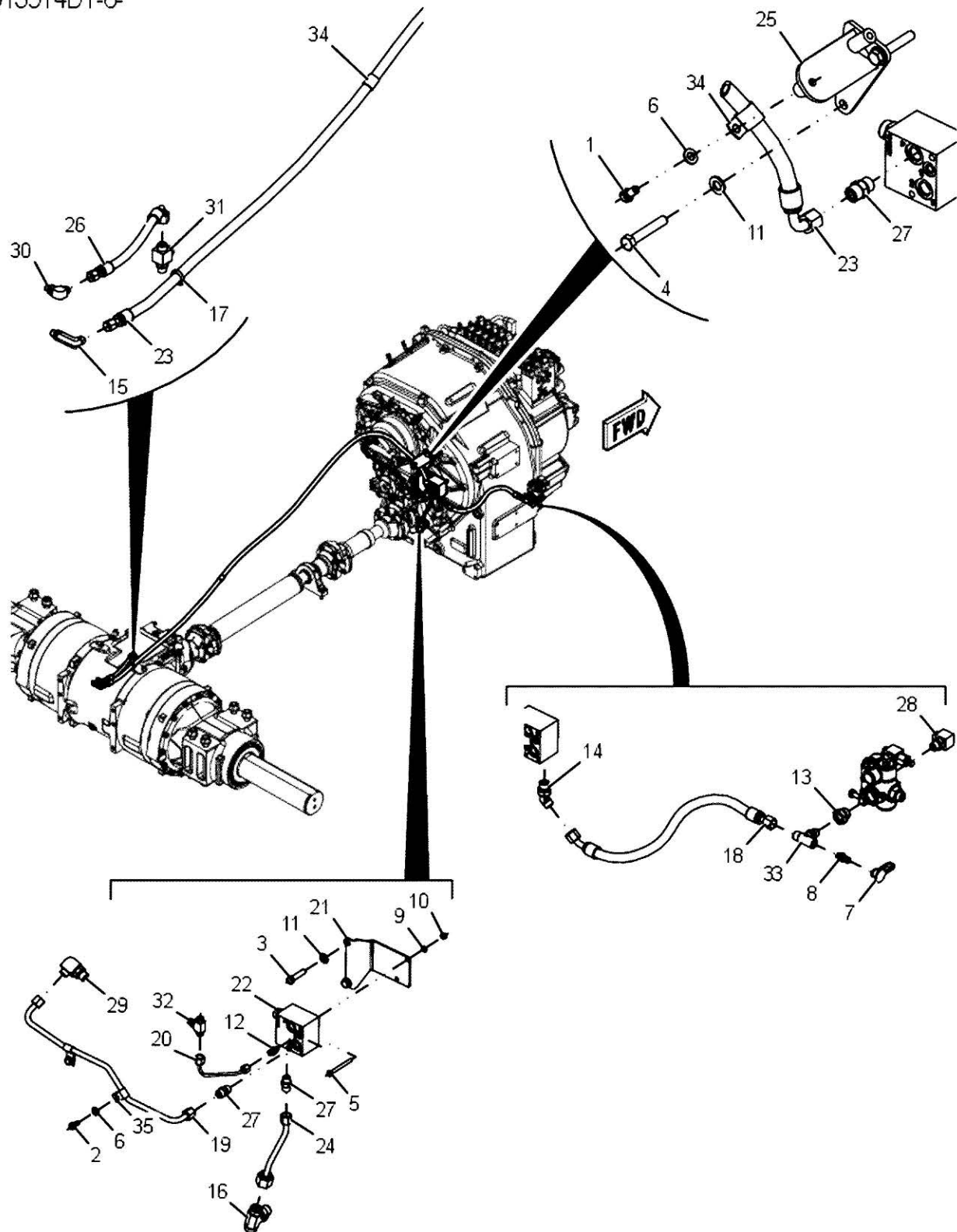
519774D1-7-Y596



**519774D1 - POWER TAKE OFF ASSEMBLY**

ITEM	PART NUMBER	QTY	DESCRIPTION COMMENTS	TECHNICAL SPECIFICATION
1	400040X1	8	HEXAGONAL HEAD BOLT	M10 X 1.5 X 20MM, CL10.9
2	400047X1	6	HEXAGONAL HEAD BOLT	M12 X 1.75 X 20MM
3	400053X1	2	HEXAGONAL HEAD BOLT	M8 X 1.25 X 20MM, CL10.9
4	400057X1	16	HEXAGONAL HEAD BOLT	M12 X 1.75 X 50MM, CL10.9
5	400287X1	8	FLAT WASHER	11MM X 21MM X 2.5MM
6	400339X1	2	FLAT WASHER	9MM X 16MM X 2MM
7	400357X1	6	FLAT WASHER	M12 X 25.5 X 3MM
8	401705X1	6	BOLT	
9	401951X1	1	BOLT	HEX HEAD M16X2.0X20
10	520858D1	1	DRIVE SHAFT PTO SEE PAGE 05-0008	
11	520860D1	1	DRIVE REAR SEE PAGE 05-0009	
12	522151D1	1	SHIELD POWER TAKE OFF	
13	525250D1	4	U-JOINT SHIELD PTO	PTO U-JOINT
14	526753D1	1	GEARBOX REAR SEE PAGE 15-0010	
15	NS	1	NON-SERVICEABLE PART SEE PAGE 15-0009	
16	531027D1	1	DECAL, GREASE	
17	534617D2	1	DRIVE SHAFT SEE PAGE 05-0011	SUPPORT
18	552989D1	1	PLATE	
19	552990D1	1	GUARD	ASM
20	CH5J-2974	1	O-RING	15.41MM ID X 2.62MM
21	CH8T-4122	7	FLAT WASHER	17MM X 32MM X 3.5MM

513914D1-6



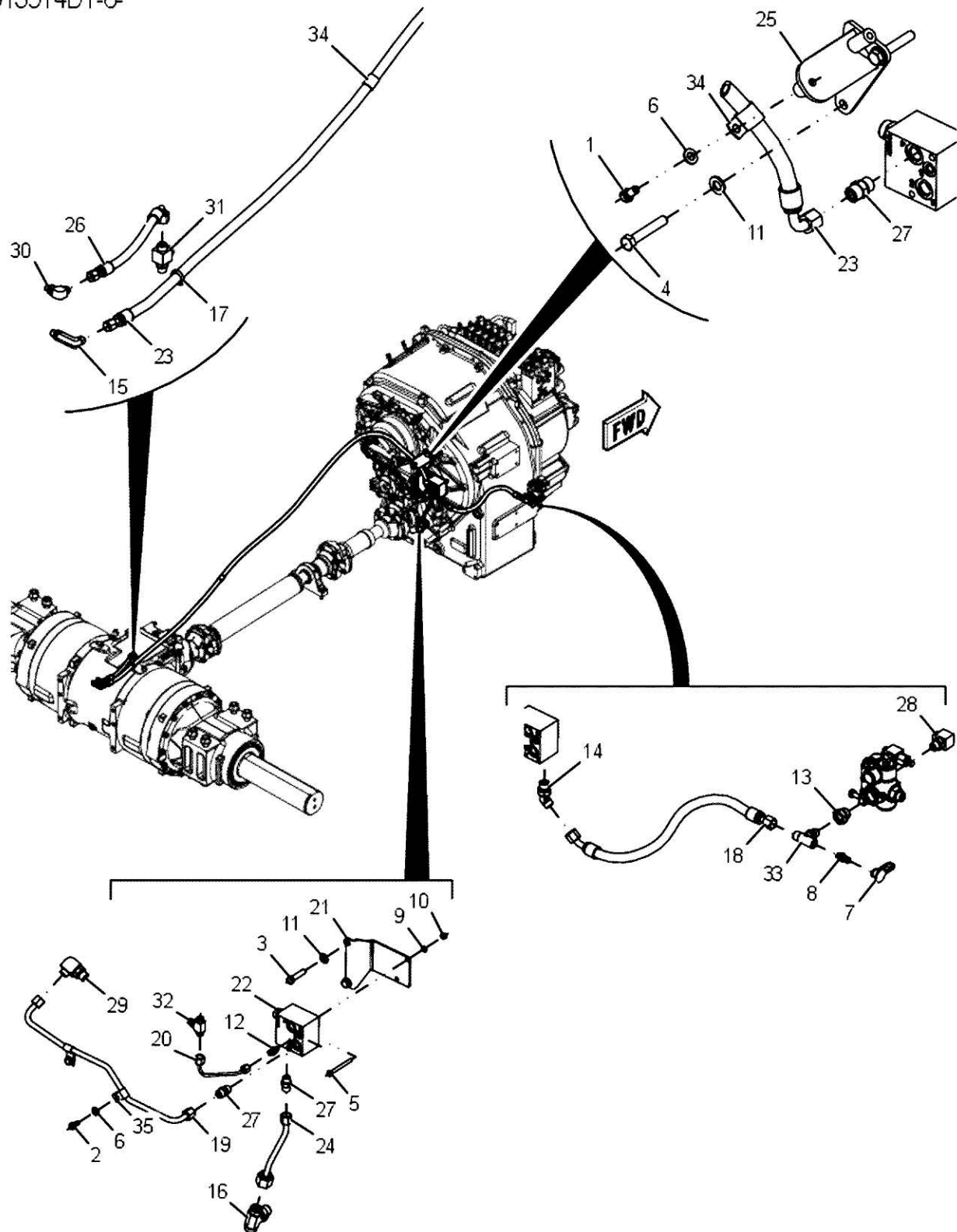
513914D1 - PTO LINES GROUP

ITEM	PART NUMBER	QTY	DESCRIPTION COMMENTS	TECHNICAL SPECIFICATION
1	400040X1	1	HEXAGONAL HEAD BOLT	M10 X 1.5 X 20MM, CL10.9
2	400054X1	2	HEXAGONAL HEAD BOLT	M10 X 1.5 X 16MM, CL10.9
3	400057X1	2	HEXAGONAL HEAD BOLT	M12 X 1.75 X 50MM, CL10.9
4	400062X1	2	HEXAGONAL HEAD BOLT	M12 X 1.75 X 70MM, CL10.9
5	400218X1	2	BOLT	M8 X 1.25 X 80MM, CL10.9
6	400287X1	3	FLAT WASHER	11MM X 21MM X 2.5MM
7	400323X1	1	DUST CAP	12.6MM OD
8	400324X1	1	QUICK COUPLER NIPPLE	9/16"-18, -6 STOR
9	400339X1	2	FLAT WASHER	9MM X 16MM X 2MM
10	400340X1	2	HEX NUT	M8 X 1.25MM X 13MM
11	400357X1	4	FLAT WASHER	M12 X 25.5 X 3MM
12	400368X1	1	CONNECTOR	-4 STOR X -4 ORFS
	400377X1	1	O-RING	11.23MM OD X 1.78MM
	400361X1	1	O-RING	8.92MM ID X 1.83MM
13	400636X1	1	ADAPTER FITTING	-12 STOR X -8 PORT
	400416X1	1	O-RING	23.47MM ID X 2.95MM
14	401259X1	1	ELBOW FITTING	-10MOR X-8ORFS, 45D
	CH6V-8398	1	O-RING	16.03MM OD X 1.78MM
	400319X1	1	O-RING	19.18MM ID X 2.46MM
15	401293X1	1	ELBOW FITTING	3/8" ORFS X 3/8" STOR,90D
	400318X1	1	O-RING	11.89MM ID X 1.98MM
	400378X1	1	O-RING	12.83MM OD X 1.78MM
16	401303X1	1	TEE FITTING	
	400416X1	1	O-RING	23.47MM ID X 2.95MM
	400366X1	1	O-RING	22.5MM OD X 1.78MM
17	402294X1	1	CABLE TIE	390MM X 7.6MM
18	522339D1	1	HOSE	
	522340D1	1	TUBE NOT SHOWN	
20	522341D1	1	TUBE ASSY	
21	524399D1	1	BRACKET	
22	524509D1	1	VALVE SEE PAGE 15-0008	
23	526727D1	1	HOSE	
24	527979D1	1	TUBE	
25	535236D1	1	BRACKET	
26	574618D1	1	HYDRAULIC HOSE	10MM X 295MM
27	CH148-8340	3	CONNECTOR	08 ORFS X 08 STOR
	CH3K-0360	1	O-RING	16.36MM ID X 2.21MM
	CH6V-8398	1	O-RING	16.03MM OD X 1.78MM
28	CH148-8364	1	ELBOW FITTING	3/4"-16 X 13/16"-16
	CH3K-0360	1	O-RING	16.36MM ID X 2.21MM
	CH6V-8398	1	O-RING	16.03MM OD X 1.78MM
29	CH148-8372	1	ELBOW FITTING	-10 STOR X -8 ORFS
	CH6V-8398	1	O-RING	16.03MM OD X 1.78MM
	400319X1	1	O-RING	19.18MM ID X 2.46MM

15-0005

IMPLEMENT DRIVE SYSTEM

513914D1-6

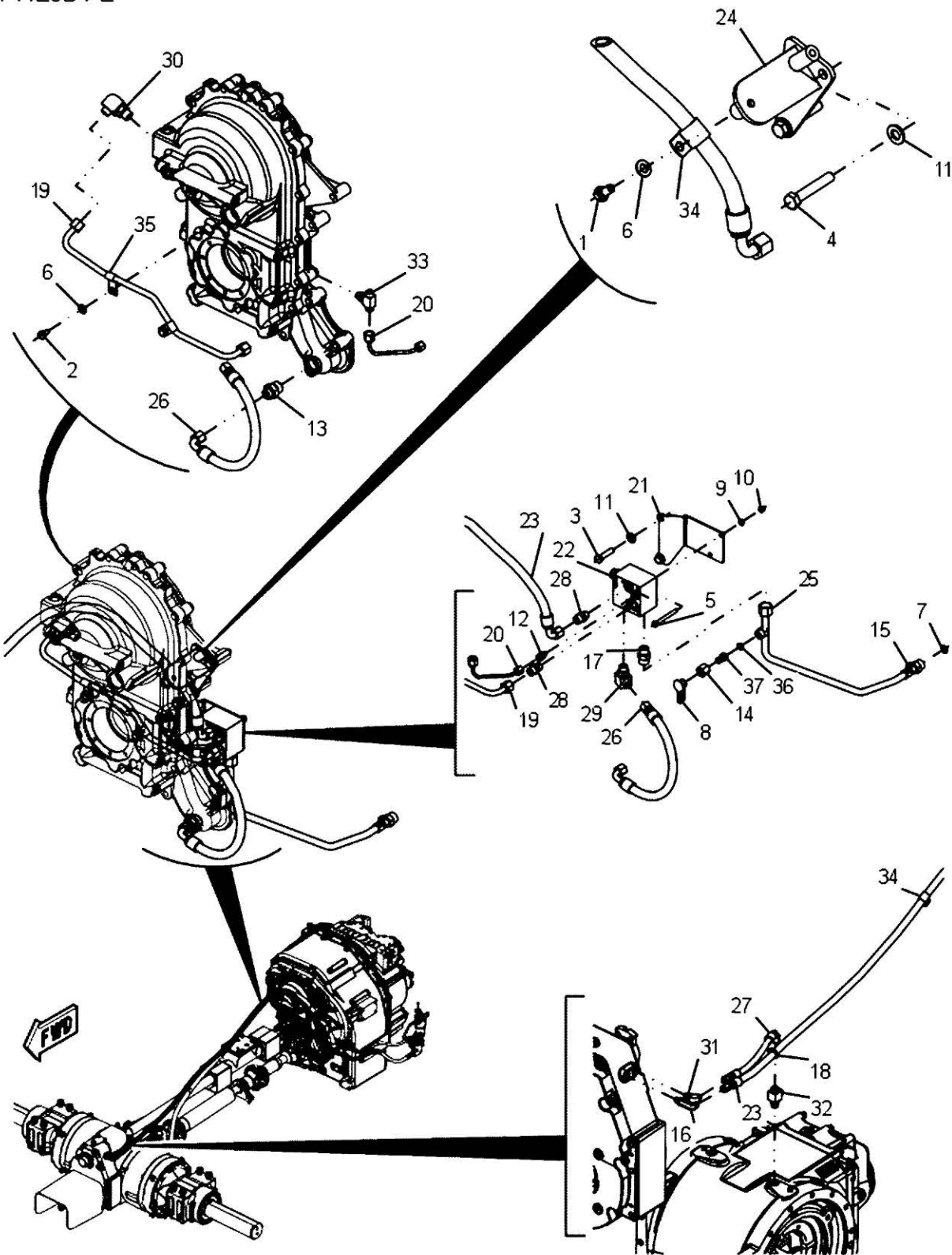


**513914D1 - PTO LINES GROUP**

---

ITEM	PART NUMBER	QTY	DESCRIPTION COMMENTS	TECHNICAL SPECIFICATION
30	CH148-8378	1	ELBOW FITTING	9/16"-18 X 11/16"-16
	400318X1	1	O-RING	11.89MM ID X 1.98MM
	400378X1	1	O-RING	12.83MM OD X 1.78MM
31	CH148-8428	1	TEE FITTING	06 ORFS
	CH3K-0360	1	O-RING	16.36MM ID X 2.21MM
	CH6V-8398	1	O-RING	16.03MM OD X 1.78MM
32	CH148-8439	1	TEE FITTING	9/16"-18 X 2X 11/16"-16
	400318X1	1	O-RING	11.89MM ID X 1.98MM
	400378X1	1	O-RING	12.83MM OD X 1.78MM
33	CH172-5761	1	TEE FITTING	6 STOR X 8 STOR X 8 ORFS
	CH3K-0360	1	O-RING	16.36MM ID X 2.21MM
	CH6V-8398	1	O-RING	16.03MM OD X 1.78MM
34	CH3S-8665	2	P-CLIP	22.2MM ID
35	CH4D-9517	2	P-CLIP	12.7MM ID

574129D1-2-



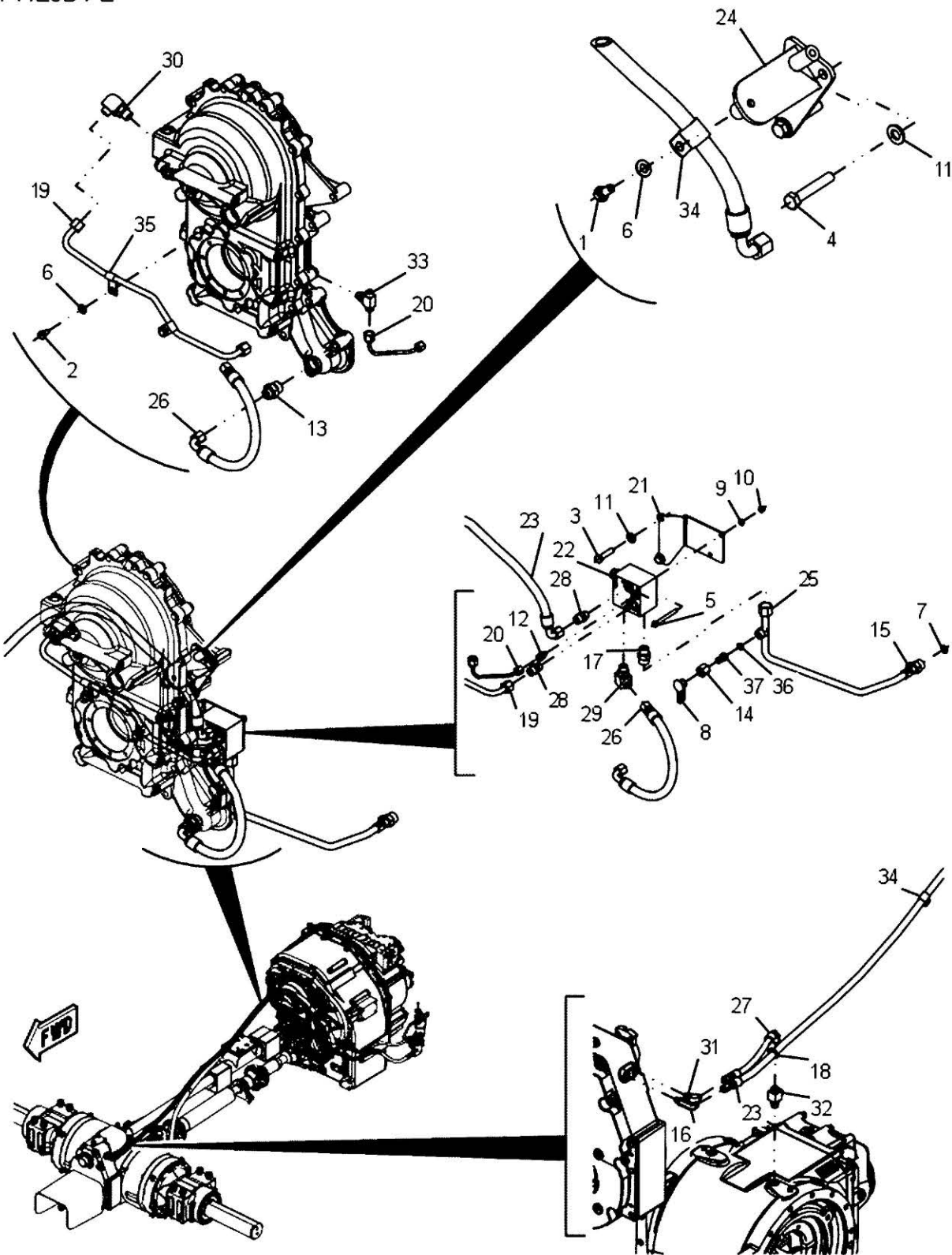
**574129D1 - PTO LINES GROUP**

ITEM	PART NUMBER	QTY	DESCRIPTION COMMENTS	TECHNICAL SPECIFICATION
1	400040X1	1	HEXAGONAL HEAD BOLT	M10 X 1.5 X 20MM, CL10.9
2	400054X1	2	HEXAGONAL HEAD BOLT	M10 X 1.5 X 16MM, CL10.9
3	400057X1	2	HEXAGONAL HEAD BOLT	M12 X 1.75 X 50MM, CL10.9
4	400062X1	2	HEXAGONAL HEAD BOLT	M12 X 1.75 X 70MM, CL10.9
5	400218X1	2	BOLT	M8 X 1.25 X 80MM, CL10.9
6	400287X1	3	FLAT WASHER	11MM X 21MM X 2.5MM
7	400322X1	1	O-RING	19.28MM OD X 1.78MM
8	400323X1	1	DUST CAP	12.6MM OD
9	400339X1	2	FLAT WASHER	9MM X 16MM X 2MM
10	400340X1	2	HEX NUT	M8 X 1.25MM X 13MM
11	400357X1	4	FLAT WASHER	M12 X 25.5 X 3MM
12	400368X1	1	CONNECTOR	-4 STOR X -4 ORFS
	400361X1	1	O-RING	8.92MM ID X 1.83MM
	400377X1	1	O-RING	11.23MM OD X 1.78MM
13	400414X1	1	UNION	STR-12STORX-8ORFS
	400416X1	1	O-RING	23.47MM ID X 2.95MM
	CH6V-8398	1	O-RING	16.03MM OD X 1.78MM
14	400607X1	1	HEX NUT	13/16"-16, ORFS
15	400702X1	1	P-CLIP	15.8MM ID
16	401293X1	1	ELBOW FITTING	3/8" ORFS X 3/8" STOR,90D
	400318X1	1	O-RING	11.89MM ID X 1.98MM
	400378X1	1	O-RING	12.83MM OD X 1.78MM
17	401403X1	1	ADAPTER FITTING	10 STOR X -10 ORFS
	400322X1	1	O-RING	19.28MM OD X 1.78MM
	400319X1	1	O-RING	19.18MM ID X 2.46MM
18	402294X1	1	CABLE TIE	390MM X 7.6MM
19	522340D1	1	TUBE	
20	522341D1	1	TUBE ASSY	
21	524399D1	1	BRACKET	
22	524509D1	1	VALVE SEE PAGE 15-0008	
23	526727D1	1	HOSE	
24	535236D1	1	BRACKET	
25	574131D1	1	RETURN HOSE	12.58MM X 251MM
26	574133D1	1	RETURN HOSE	12.7MM X 470MM
27	574618D1	1	HYDRAULIC HOSE	10MM X 295MM
28	CH148-8340	2	CONNECTOR	08 ORFS X 08 STOR
	CH3K-0360	1	O-RING	16.36MM ID X 2.21MM
	CH6V-8398	1	O-RING	16.03MM OD X 1.78MM
29	CH148-8364	1	ELBOW FITTING	3/4"-16 X 13/16"-16
	CH3K-0360	1	O-RING	16.36MM ID X 2.21MM
	CH6V-8398	1	O-RING	16.03MM OD X 1.78MM
30	CH148-8372	1	ELBOW FITTING	-10 STOR X -8 ORFS
	400319X1	1	O-RING	19.18MM ID X 2.46MM
	CH6V-8398	1	O-RING	16.03MM OD X 1.78MM

**15-0006**

**IMPLEMENT DRIVE SYSTEM**

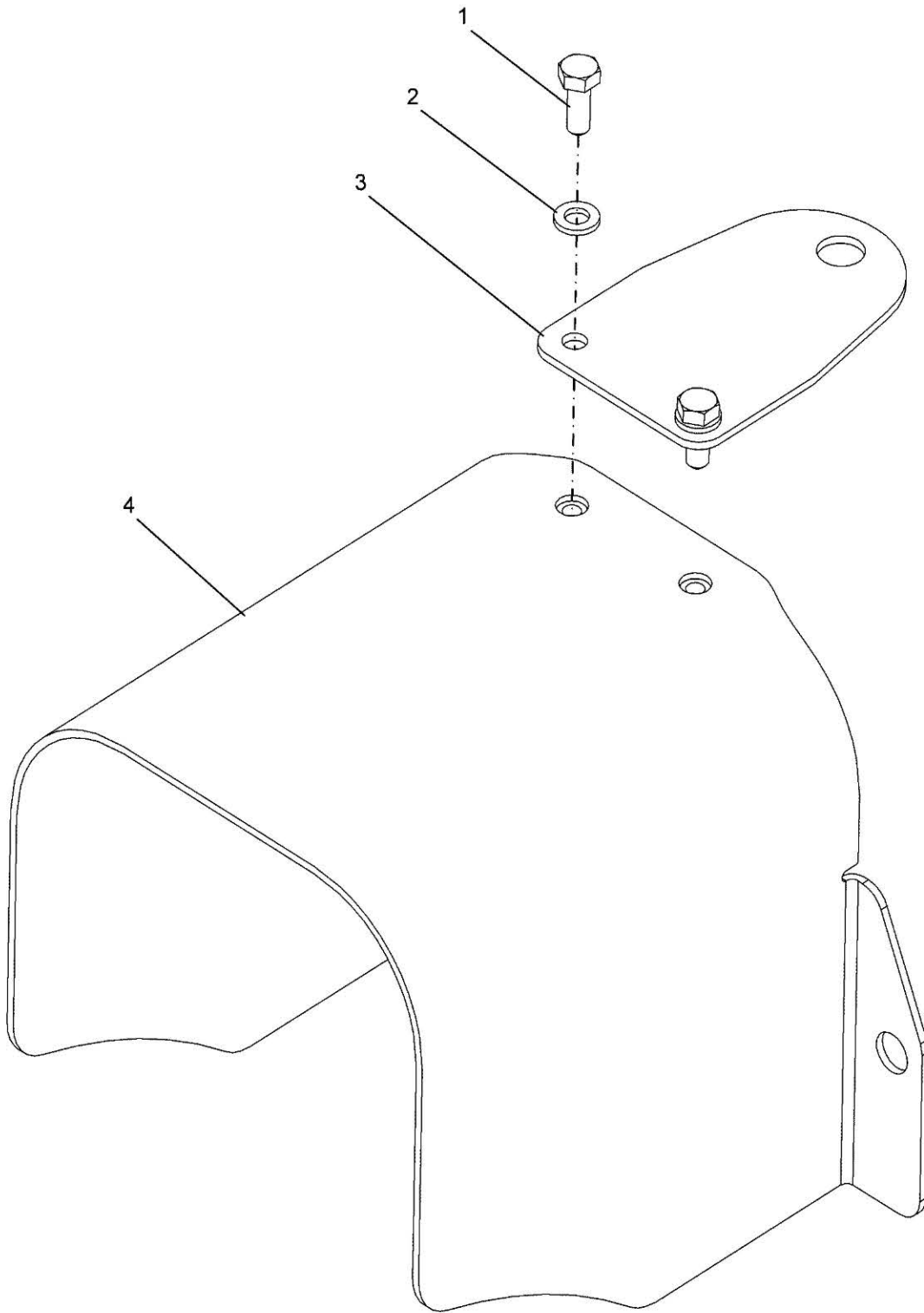
574129D1-2-



**574129D1 - PTO LINES GROUP**

ITEM	PART NUMBER	QTY	DESCRIPTION COMMENTS	TECHNICAL SPECIFICATION
31	400318X1	1	O-RING	11.89MM ID X 1.98MM
	CH148-8378	1	ELBOW FITTING	9/16"-18 X 11/16"-16
	400378X1	1	O-RING	12.83MM OD X 1.78MM
32	CH148-8428	1	TEE FITTING	06 ORFS
	CH6V-8398	2	O-RING	16.03MM OD X 1.78MM
	CH3K-0360	1	O-RING	16.36MM ID X 2.21MM
33	CH148-8439	1	TEE FITTING	9/16"-18 X 2X 11/16"-16
	400318X1	1	O-RING	11.89MM ID X 1.98MM
	400378X1	1	O-RING	12.83MM OD X 1.78MM
34	CH3S-8665	2	P-CLIP	22.2MM ID
35	CH4D-9517	2	P-CLIP	12.7MM ID
36	CH6V-8398	1	O-RING	16.03MM OD X 1.78MM
37	CH8C-6416	1	QUICK COUPLER NIPPLE	-4 X O-RING
	CH6V-8554	1	COMPRESSION NUT	13/16-16 THD, ORFS

552987D1-1-Y596

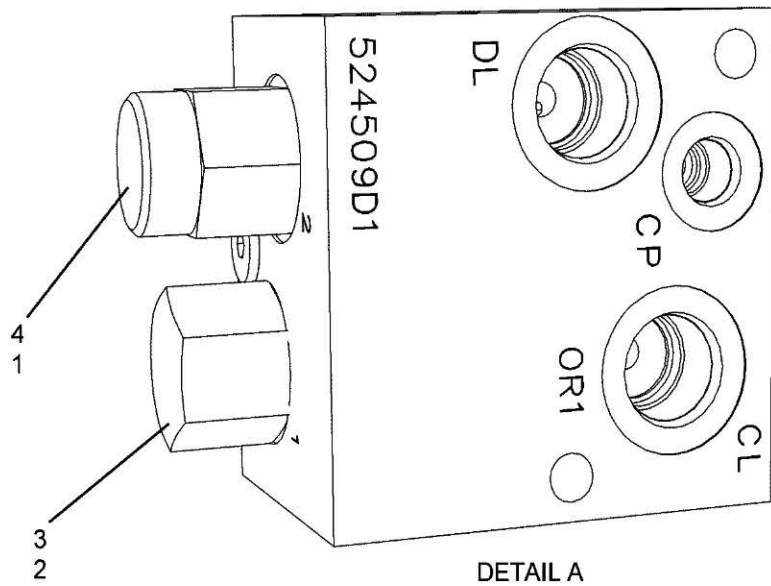
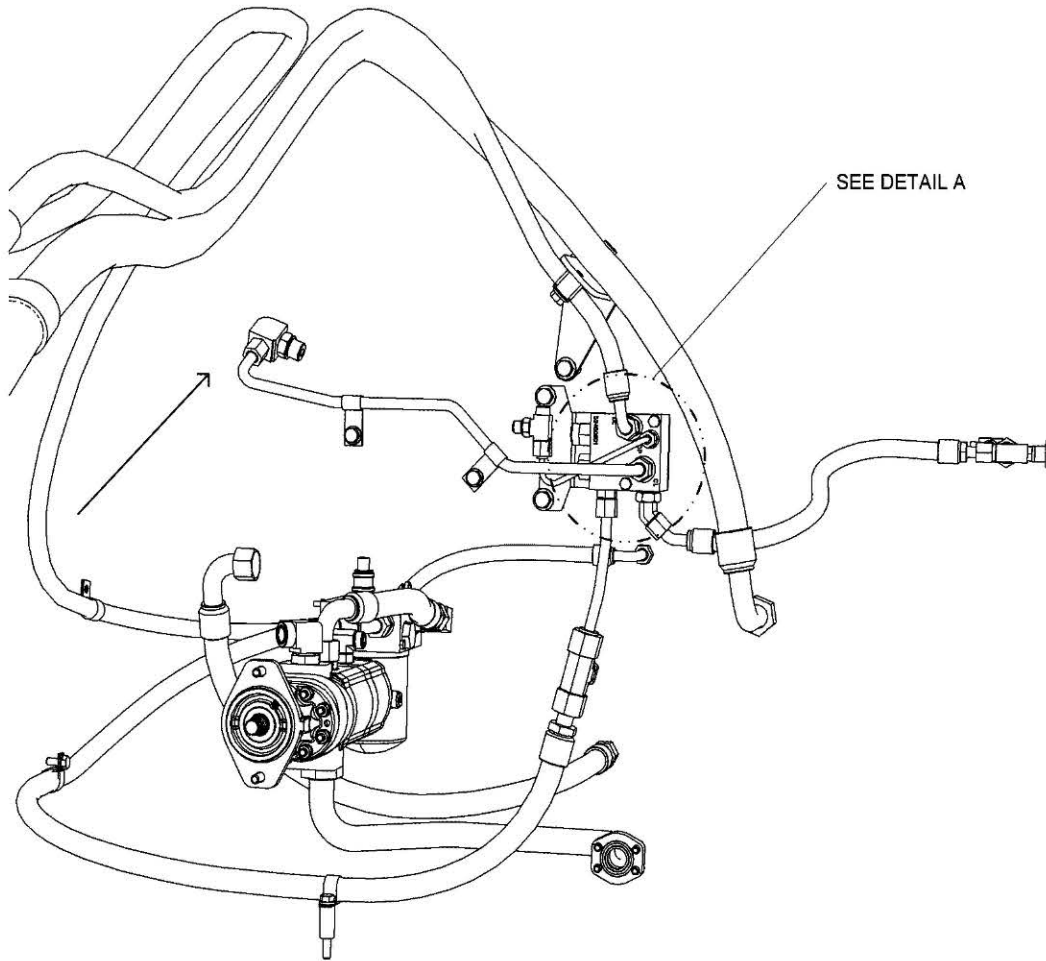


## 552987D1 - PTO SHAFT GUARD KIT

---

ITEM	PART NUMBER	QTY	DESCRIPTION COMMENTS	TECHNICAL SPECIFICATION
			<b>APPLIES TO ALL TRACTORS BUILT WITH A PTO.</b>	
1	400053X1	2	HEXAGONAL HEAD BOLT	M8 X 1.25 X 20MM, CL10.9
2	400339X1	2	FLAT WASHER	9MM X 16MM X 2MM
3	552989D1	1	PLATE	
4	552990D1	1	GUARD	ASM

524509D1-01-T281

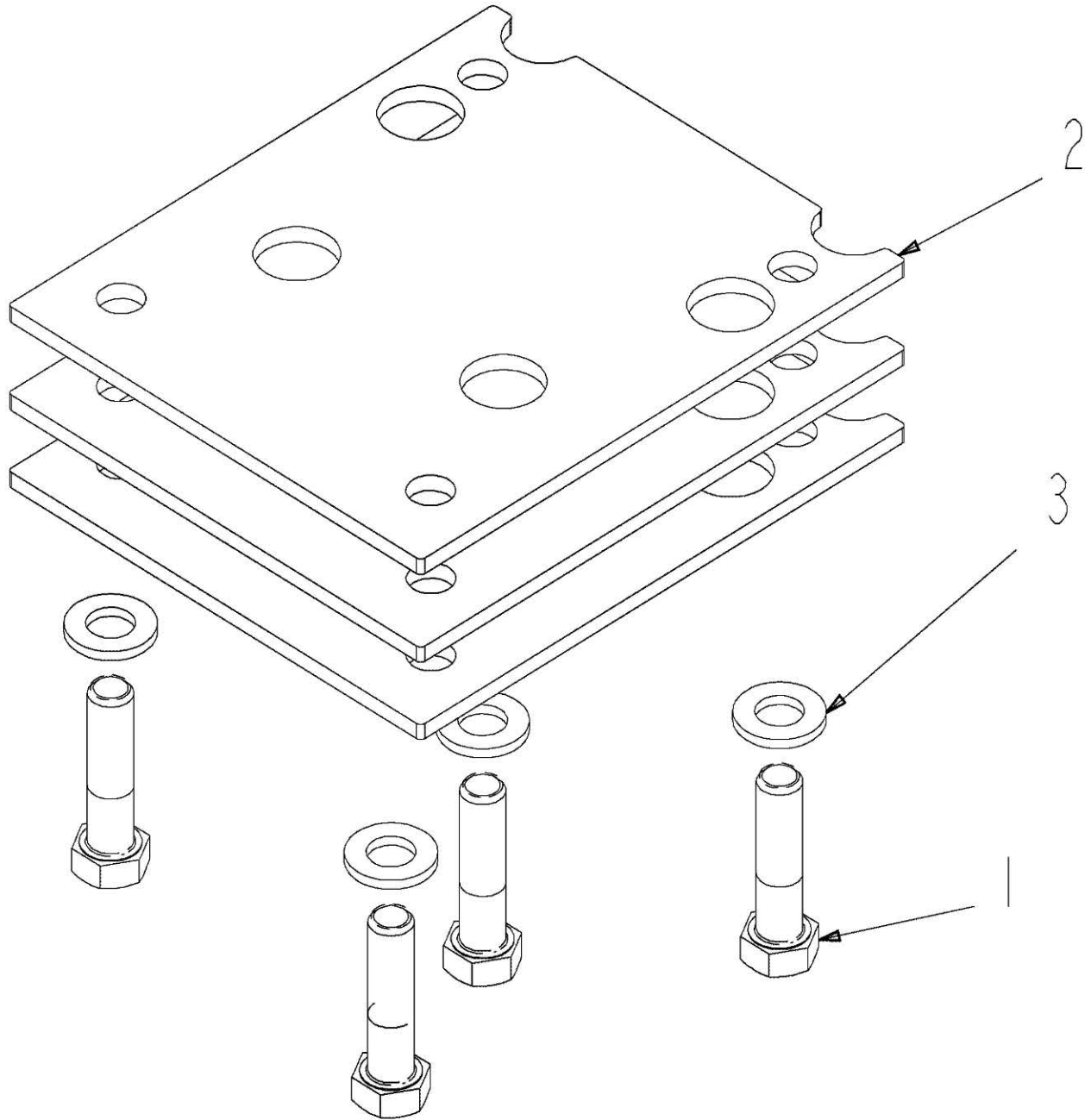


## 524509D1 - PTO LUBRICATION VALVE ASSEMBLY

---

ITEM	PART NUMBER	QTY	DESCRIPTION COMMENTS	TECHNICAL SPECIFICATION
1	AG715207	1	SEAL KIT	
2	AG716813	1	O-RING KIT PROPORTIONAL VALVE	
3	524562D1	1	CONTROL VALVE PILOTED	
	AG716813	1	O-RING KIT	
4	524563D1	1	VALVE 3 WAY	
	AG715207	1	SEAL KIT	

526775D2-01-T948

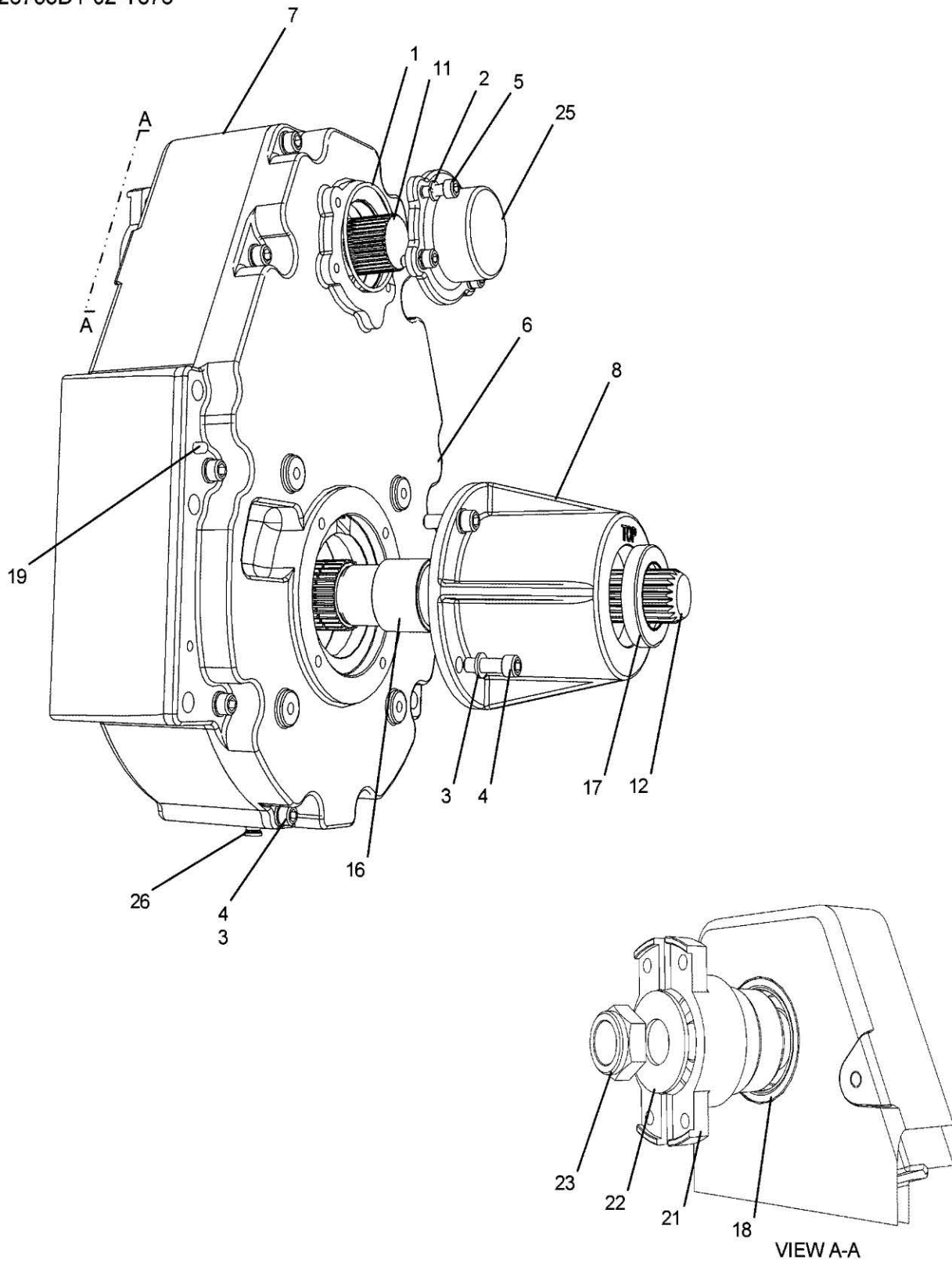


**526775D2 - POWER TAKE OFF SPACER GROUP**

---

ITEM	PART NUMBER	QTY	DESCRIPTION COMMENTS	TECHNICAL SPECIFICATION
1	400222X1	4	HEXAGONAL HEAD BOLT	M16 X 2.0 X 60MM 10.9
2	526115D2	3	SPACER	PLATE-DRIVE SHAFT
3	CH8T-4122	4	FLAT WASHER	17MM X 32MM X 3.5MM

526753D1-02-T876



**526753D1 - GEARBOX, REAR PTO, TYPE 3**

ITEM	PART NUMBER	QTY	DESCRIPTION COMMENTS	TECHNICAL SPECIFICATION
1	131-3718	1	O-RING	91.61MM ID X 3.53MM
2	AG562271	4	LOCK WASHER	M10
3	AG562272	14	LOCK WASHER	M12
4	400210X1	14	BOLT	
5	400217X1	4	HEXAGONAL HEAD BOLT	M10 X 1.5 X 25MM, CL12.9
6	526755D1	1	CASE REAR	
7	526756D1	1	CASE FRONT	
8	526758D1	1	HOUSING OUTPUT	
	526759D1	1	GEAR	
	526760D1	1	OUTPUT GEAR	
11	526761D1	1	INPUT GEAR	
12	526762D1	1	OUTPUT SHAFT POWER TAKE OFF, TYPE 3	
	526763D1	1	SNAPRING	
	526764D1	2	BEARING	
	526765D1	6	BEARING	
16	526766D1	1	SPACER	
17	526767D1	1	LIP SEAL	
18	526768D1	1	LIP SEAL	
19	526769D1	2	PIN	
	526770D1	1	O-RING	
21	526771D1	1	YOKE	
22	526772D1	1	WASHER	
23	526773D1	1	NUT	
	526774D1	1	KEY	
25	531631D1	1	COVER POWERCHECK	
26	CH162-0177	1	PLUG	9/16"-18
	400318X1	1	O-RING	11.89MM ID X 1.98MM